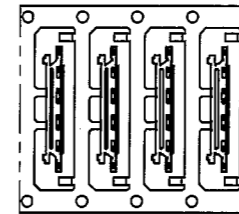


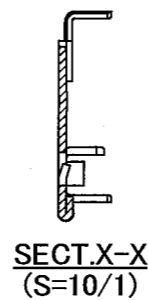
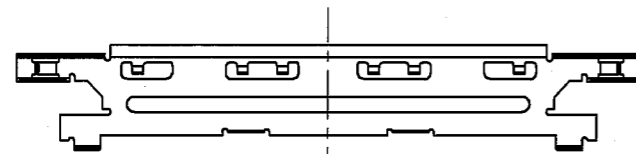
PART NO.	Pos.	A	B	C	D	E
2618-0301	30	16.94	3.6	11.88	28.0	30.0
2618-0401	40	20.94	5.6	15.88	32.0	35.0

P/N:2618- 0**1

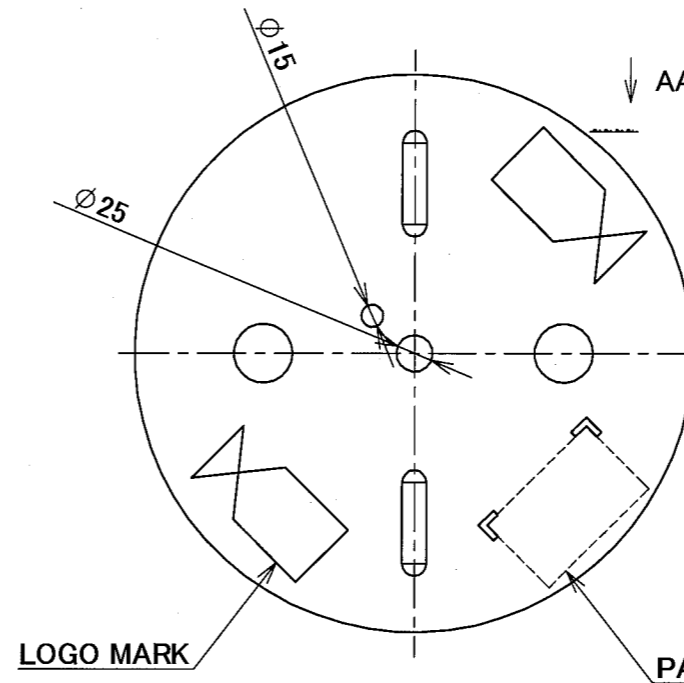
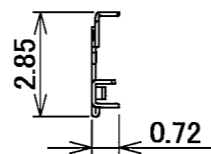
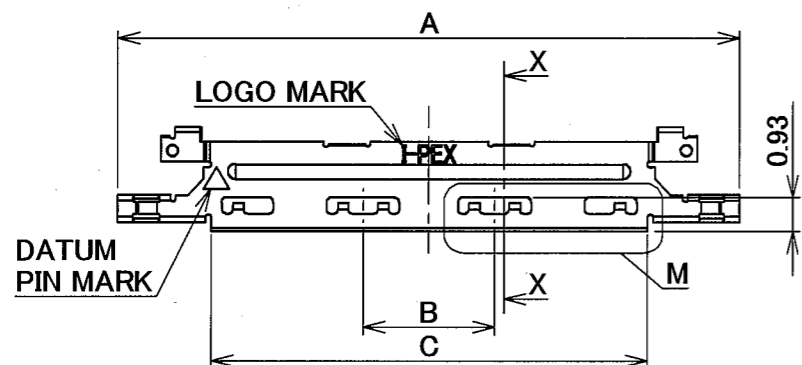
Pos.



VIEW AA
(S=1/1)

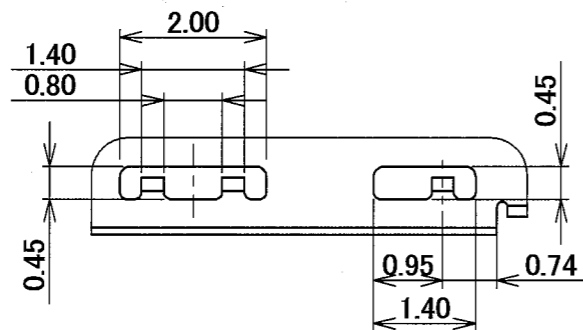
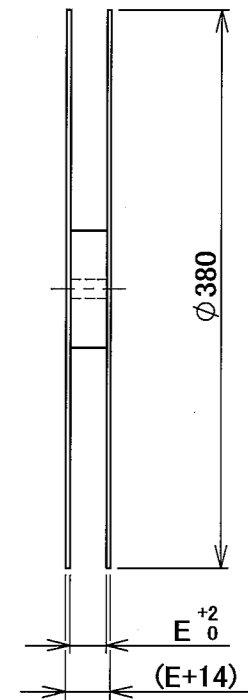


SECT.X-X
(S=10/1)



LOGO MARK PACKING LABEL


PACKING REEL P/N:950229-***
(S=1/5)



DETAIL M
(S=10/1)

NOTES.
1.MATERIAL & FINISH
MATERIAL:PHOSPHER BRONZE
FINISH:Au or OVER Ni

GENERAL TOLERANCE	
6 MAX.	±0.2
6 OVER MAX. 30	±0.3
30 OVER MAX. 120	±0.5
ANGLE	±2°

					DESIGN'D BY	DATE	 Interconnect and Packaging Electronics TOKYO, JAPAN					
					N.Hamauchi	Feb./28/'08						
					CHK'D BY	DATE						
					1 Z08242 N.H. May/28/'08 J.H.							
					0 Z08094 N.H. Feb./28/'08							
REV	ECN	BY	DATE	APP	APP'D BY	DATE						
					E.Kawabe	Feb./28/'08						
REV.RECORD					CUSTOMER COPY		PROJECTION	SCALE	UNIT	DWG. No.	SHEET	REV.
SERIES No.							⊕	5:1	mm	2618	1/1	1